

# Intellian® Fiber Link

**Fiber Optic Connection for VSAT and TVRO Systems**  
Connected at the Speed of Light



## Simple Connection Using High Speed Fiber

One Fiber Optic cable combines the TX and RX signals in a VSAT system, in a TVRO system it combines up to 4 LNB signals into one lightweight cable.

## A Single Fiber Optic Cable

A single fiber optic cable connects the VSAT or TVRO antenna to the BDU, reducing the number of cables required, making installation more straightforward.



\*Not supplied

## No Cable Run Limitations

With less signal loss than Coax cable, and much lighter, there is no cable run length limitations. No measurable signal loss up to 2000 meters.

## Reduces Installation Time

A single cable, saves time and reduces weight of the installation.

## Fiber Link with an integrated ACU available

With Intellian's leading-edge technology, Fiber ACU which is an integrated module combining the ACU and the Fiber Link BDU is also available for easier installation and control.

**Intellian**

# Intellian® Fiber Link

## Fiber Optic Connection for VSAT and TVRO Systems

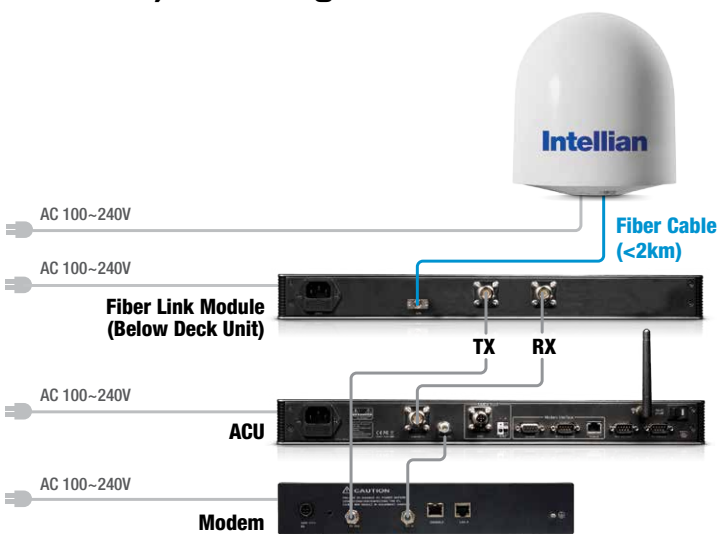
### Technical Specifications

Mechanical Specification	Fiber Link VSAT	Fiber Link TVRO
Above Deck Unit Size (inside antenna)	27cm x 17cm x 3.6cm / 10.63" x 6.69" x 1.41"	27cm x 17cm x 3.6cm / 10.63" x 6.69" x 1.41"
Above Deck Unit Weight (inside antenna)	1.5Kg / 3.3lbs	3.48kg / 8.37lbs
Below Deck Module Size (19 inch rack)	43.1cm x 38cm x 4.44cm / 16.96" x 14.96" x 1.74"	43.1cm x 38cm x 4.44cm / 16.96" x 14.96" x 1.74"
Below Deck Module Weight (19 inch rack)	3.1Kg / 6.83lbs (Fiber ACU : 4kg / 8.82lbs)	3.62Kg / 7.98lbs
Optical Specification		
Frequency Range	10MHz~2.2GHz	950~2150MHz (400/433MHz for comm.)
Link Gain	0dB typ. (±4dB)	0dB typ. (±4dB)
Link Gain Ripple (any 36MHz)	±1dB (typical)	±1dB (typical)
Gain Stability (dB/24hr@room temp.)	±0.25dB (typical)	±0.25dB (typical), ±0.3dB max
Output IP3	+36dBm	+36dBm
Input / Output Impedance	50ohm	75ohm
Connector Type	FC/APC	FC/APC
Recommended Fiber Mode	Single Mode	Single Mode
Electrical Specification		
Supply Voltage	110/220V AC	110/220V AC
Power Consumption (ADU)	15W max.	30W max.
Power Consumption (BDU)	15W max.	30W max.

### VSAT Fiber Link Solution

This solution is applicable for v100, v100GX, v130G, v240CK and v240M systems. The Fiber Link Module consists of ADU and BDU modules. The lower BDU module is 1U Rack type unit which is connected to the ACU and the modem. And the upper ADU module is small unit mounted inside the bottom of the Radome. Intellian also offers an advanced Fiber Link integrated VSAT ACU, which is a consolidated module for the Fiber Link below deck module and the VSAT ACU.

### VSAT System Diagram

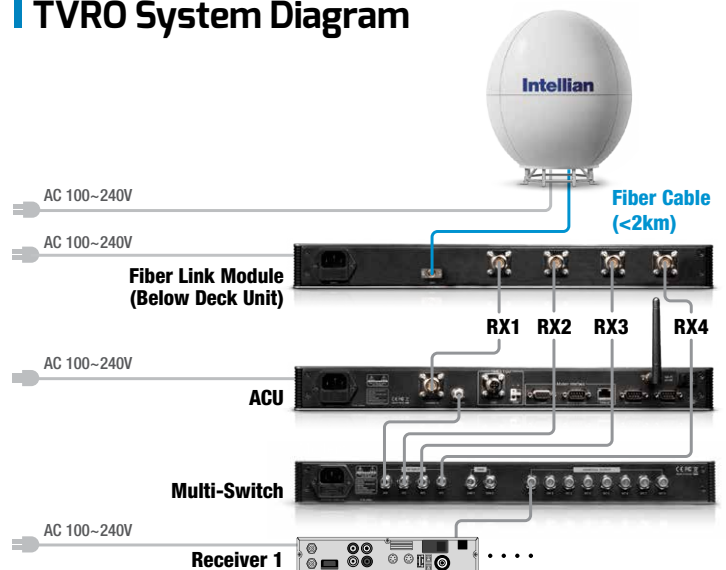


### TVRO Fiber Link Solution

This solution is applicable for the t240CK that uses the AC power supply direct to the antenna. The Fiber Link Module consists of two modules. The lower BDU module is 1U Rack type unit which is connected to the ACU and the multi-switch. The upper ADU module is small unit installed inside the bottom of the Radome.

The TVRO Fiber Link solution requires multiple cables based on the configuration of the TVRO system. Small fiber optic cables take up less room than a single coax cable and are much lighter and easier to install.

### TVRO System Diagram



**Global HQ**  
Innovation Center / Factory  
Intellian Technologies, Inc.  
T +82 31 379 1000  
F +82 31 377 6185

**APAC**  
Seoul Office  
Intellian Technologies, Inc.  
T +82 2 511 2244  
F +82 2 511 2235

**Americas**  
Irvine Office  
Intellian Technologies USA, Inc.  
T +1 949 727 4498  
F +1 949 271 4183  
Toll Free +1 888-201-9223

**EMEA**  
Rotterdam Office  
Intellian B.V.  
T +31 1 0820 8655  
F +31 1 0820 8656